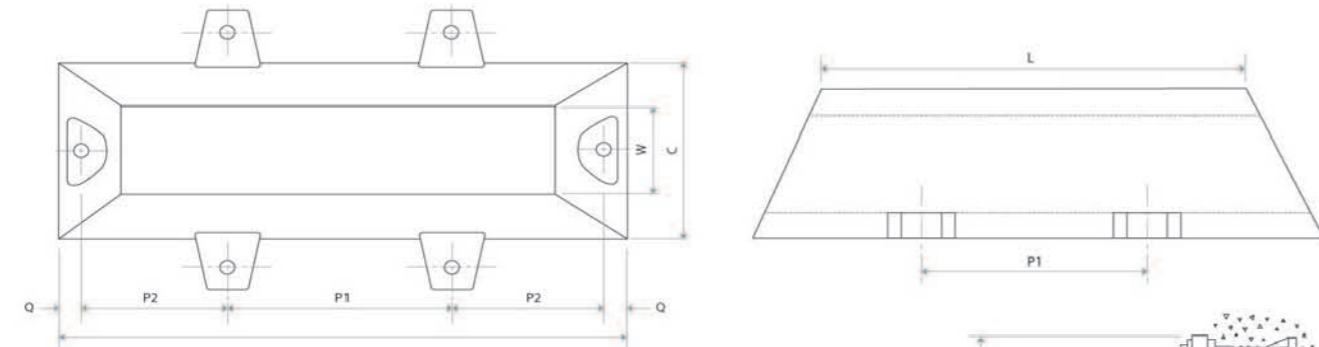
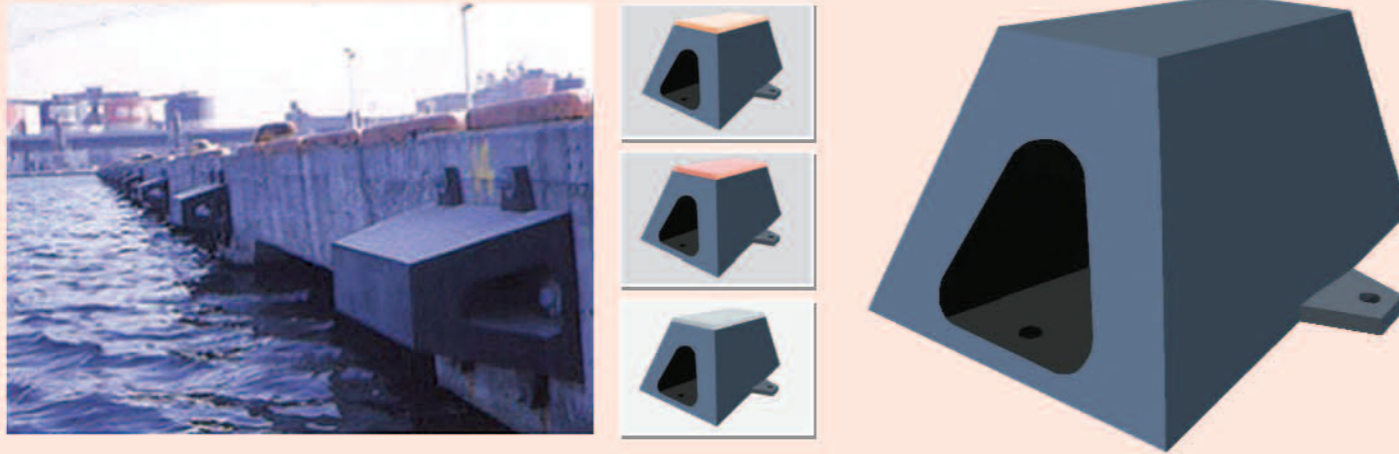


# Rubber Fenders

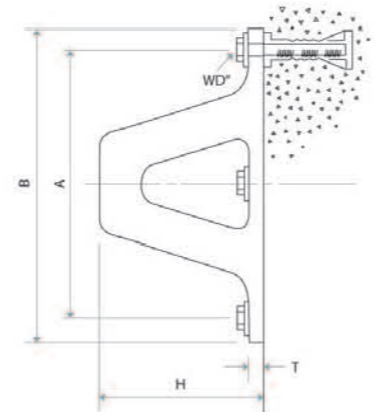
## CV Fender

CV Fender provides the stabilized performance and easy installation, maintenance properties. It has a highly energy absorption ability and gives low reaction force



(Unit: mm)

Dimensions	WD	A	B	C	T	W
200H	1	350	445	250	25	125
300H	1 1/4	530	645	375	35	188
400H	1 1/2	710	840	500	40	250
500H	3/4	860	1000	625	40	315
600H	2	1050	1200	750	50	375
800H	1 1/2	1350	1550	1000	60	500
1000H	2 1/2	1600	1800	1250	65	625

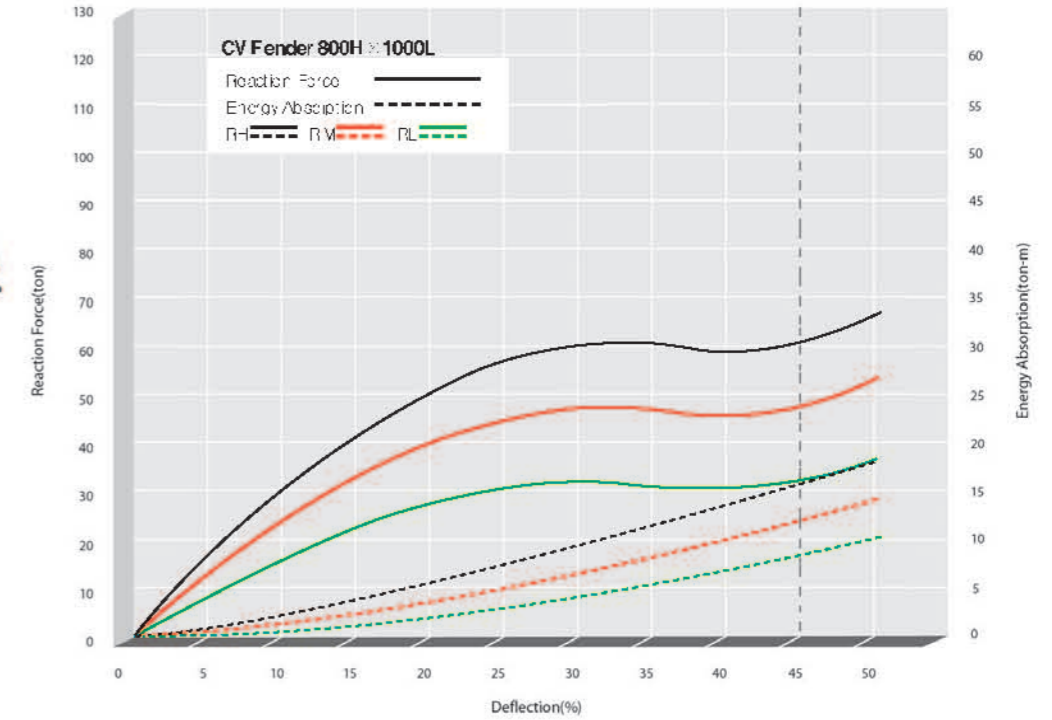


(Unit: mm)

Dimensions	1000L		1500L		2000L			2500L			3000L			3500L				
	P2	Q	P2	Q	P1	P2	Q	P1	P2	Q	P1	P2	Q	P1	P2	Q		
200H	555	70	805	70	900	605	70	900	855	70	900	2	655	70	900	2	905	70
300H	600	75	850	75	1000	600	75	1000	850	75	1000	2	600	75	1000	2	850	75
400H	640	85	890	85	1200	540	85	1200	790	85	1200	2	440	85	1200	2	690	85
500H	675	100	925	100	1000	675	100	1000	925	100	1000	2	675	100	1000	2	925	100
600H	710	115	960	115	1020	700	115	1020	950	115	1020	2	590	115	1020	2	940	115
800H	670	130	920	130	1050	645	130	1050	895	130	1050	2	520	130	1050	2	670	130
1000H	700	150	950	150	1200	600	150	1200	850	150	1200	2	500	150	1200	2	750	150

# Rubber Fenders

## Performance Curve



## CV Fender Performance Table

(Unit: mm)

Size		200H	300H	400H	500H	600H	800H	1000H
RS	R · F (ton)	17.1	25.7	34.2	42.8	51.3	68.4	85.5
	E · A (ton-m)	1.1	2.6	4.7	7.2	10.4	18.5	29.0
RH	R · F (ton)	15.0	22.5	30.0	37.5	45.0	60.0	75.0
	E · A (ton-m)	1.0	2.3	4.1	6.3	9.1	16.2	25.1
RM	R · F (ton)	11.5	17.0	22.5	28.0	34.0	45.0	56.0
	E · A (ton-m)	0.8	1.7	3.0	4.8	6.8	12.1	19.0
RL	R · F (ton)	7.5	11.5	15.0	19.0	22.5	30.0	37.5
	E · A (ton-m)	0.5	1.1	2.0	3.2	4.6	8.1	13.7

Deflection: 45%    Tolerance: 10%



Deflection 0%

Deflection 15%

Deflection 30%

Deflection 45%