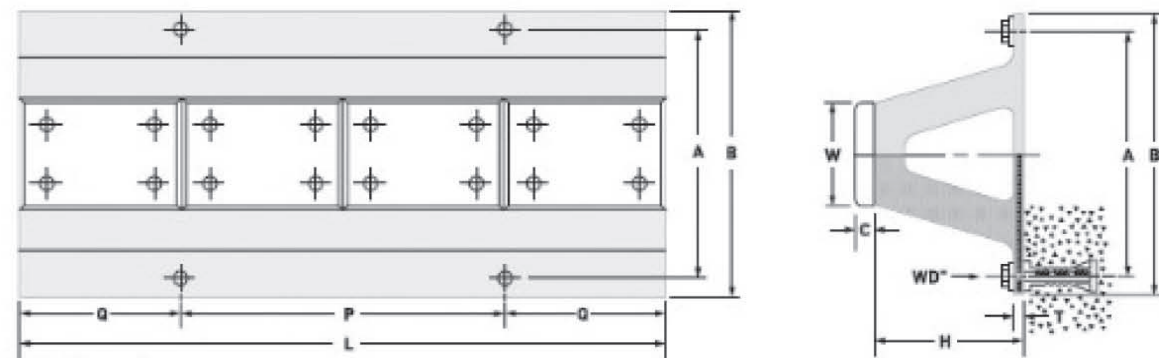
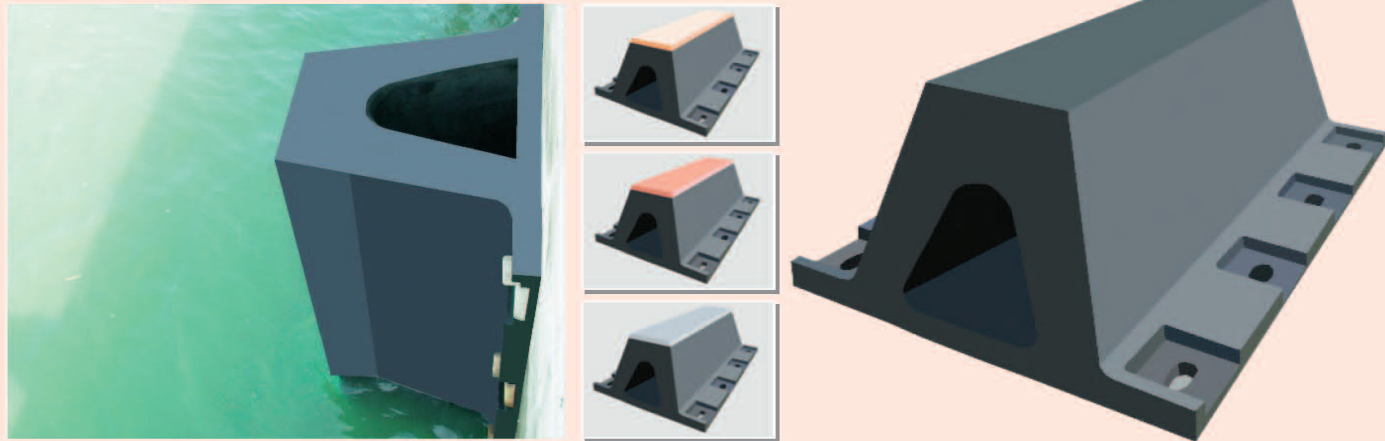


Rubber Fenders

SV Fender

SV Fender is an improved V type fender which has high energy absorption. Reaction/Energy ratio is smaller than other Fenders. It is reinforced by an embedded steel plate across the entire bottom as well as the top of the fender.



• TRS Fender Dimension

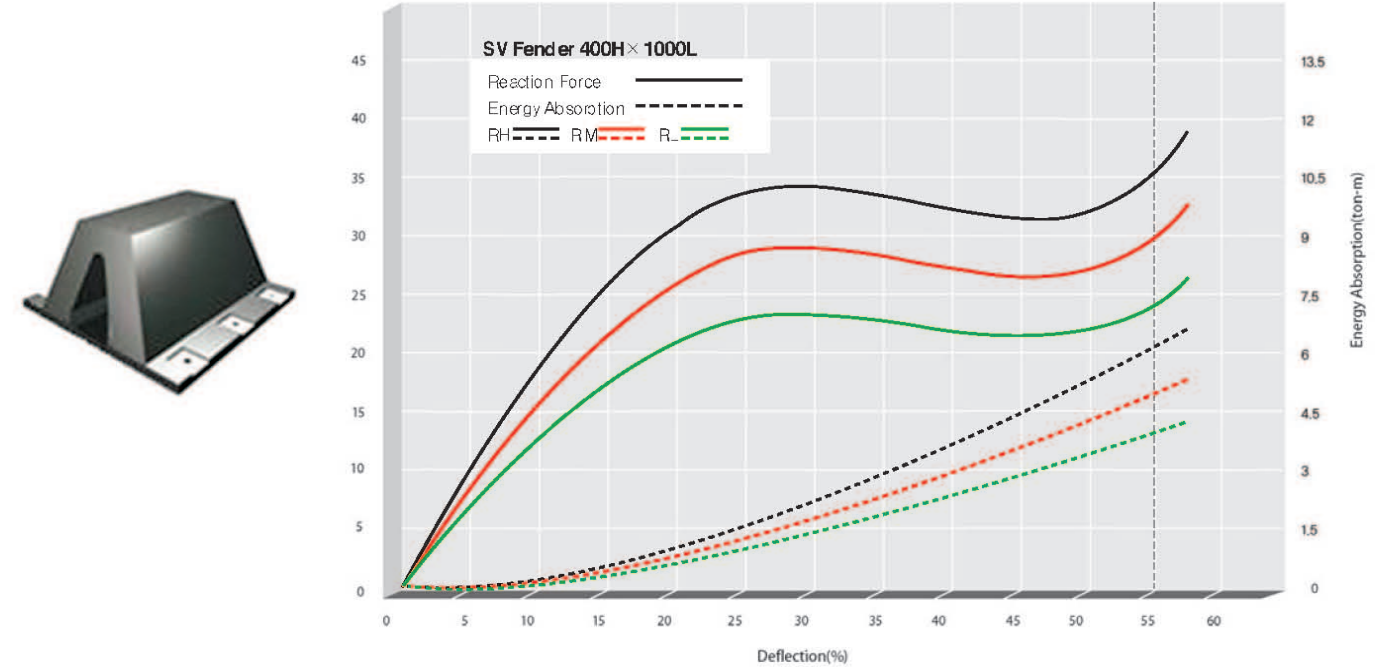
(Unit : mm)

Dimensions	WD"	A	B	P	Q	T	W
Height							
150H	3/4	260	320	500	250	20	100
200H	1	310	380	500	250	25	130
250H	1	400	500	500	250	30	160
300H	1 1/4	530	645	500	250	35	190
400H	1 1/2	710	840	500	250	40	250
500H	1 3/4	860	1000	500	250	45	320
600H	2	1050	1210	500	250	50	380
800H	2 1/2	1350	1150	500	250	60	500
1000H	2 1/2	1600	1800	500	250	70	640

- C: 300-100mm - WD": Anchor Size See Page 40

Rubber Fenders

• Performance Curve



• SV Fender Performance Table

(1m Length)

Size	Performance	150H	200H	250H	300H	400H	500H	600H	800H	1000H
RH	R · F(ton)	13.2	17.5	21.9	26.2	35.0	43.8	52.5	70.0	87.6
	E · A(ton-m)	0.8	1.5	2.4	3.4	6.1	9.6	13.8	24.6	38.4
RM	R · F(ton)	11.0	14.6	18.3	21.9	29.2	36.5	43.8	58.4	73.0
	E · A(ton-m)	0.7	1.3	2.0	2.9	5.1	8.0	11.5	20.5	32.0
RL	R · F(ton)	8.8	11.6	14.6	17.5	23.3	29.2	35.0	46.7	58.4
	E · A(ton-m)	0.5	1.0	1.6	2.3	4.0	6.4	9.2	16.4	25.6

- R · F : Reaction Force(ton) - E · A : Energy Absorption(ton-m) - Tolerance : +10% - Deflection : ±2.5%



Deflection 0%

Deflection 15%

Deflection 30%

Deflection 55%