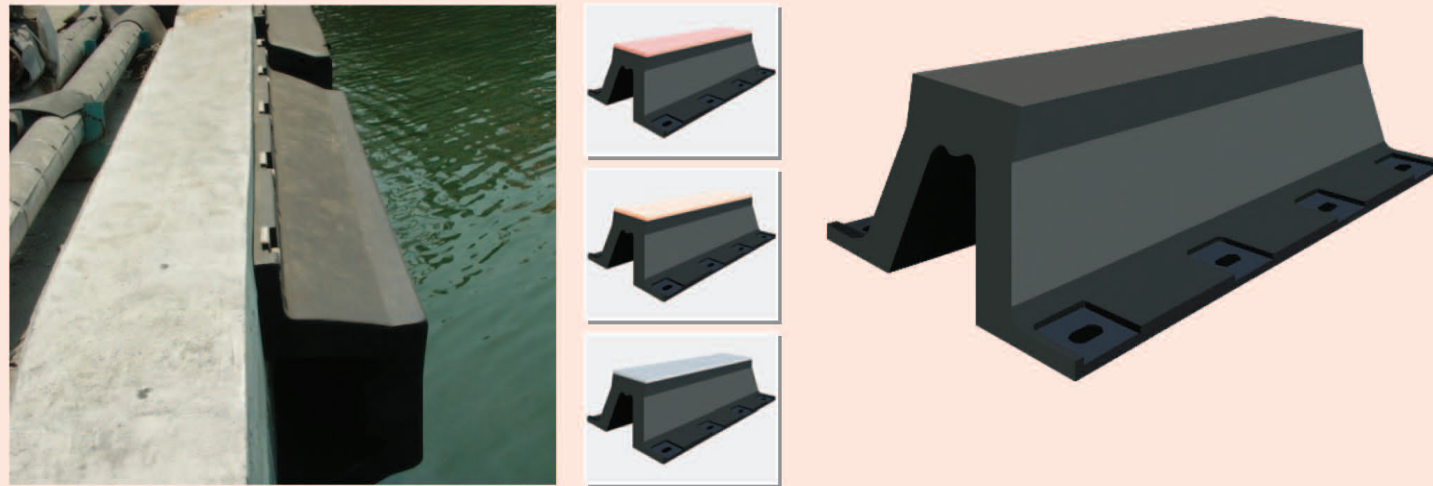


Rubber Fenders

SM Fender

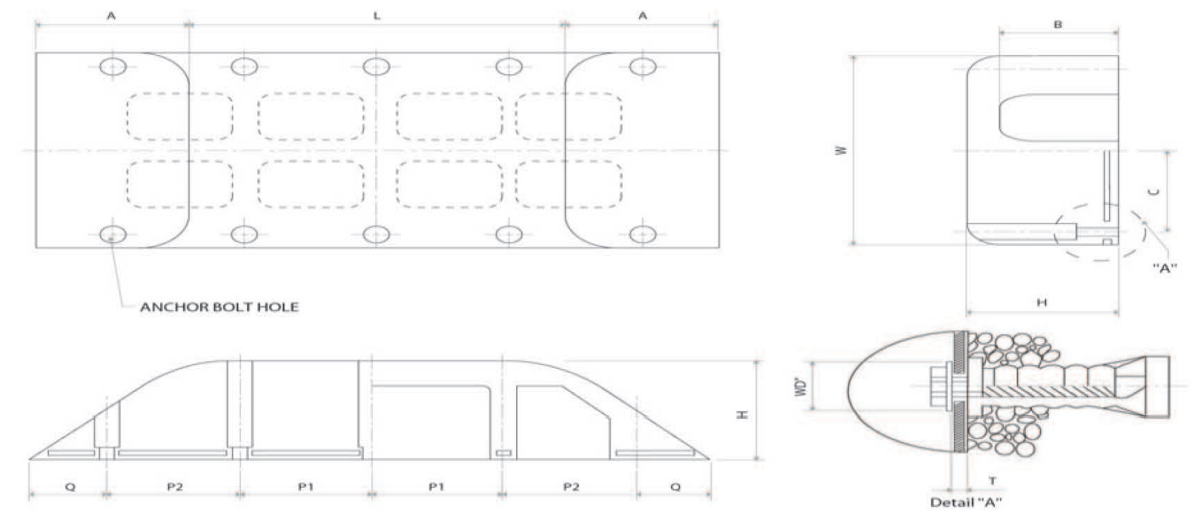
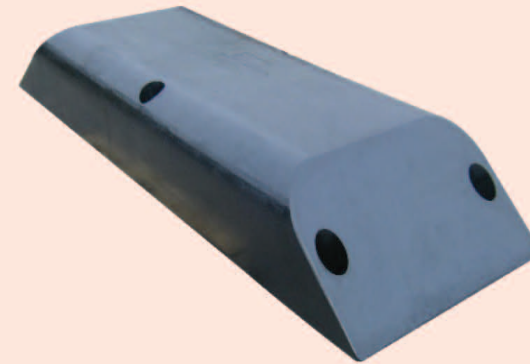
SM type Fender as designed, such as the OV type Fender and dock face maybe more shock absorption in the upper half, you have to do it is bending.



Rubber Fenders

BP Fender

BP Fender is an energy absorption device which has been modified from the car bumper. It has lower face pressure than the conventional OV Fender as BP Fender has large contact surface.



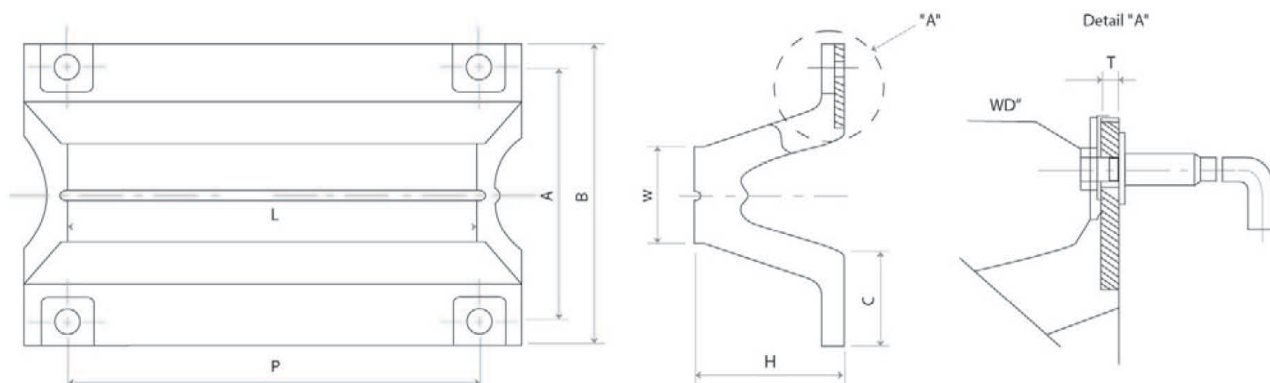
(Unit : mm)

Dimensions	WD*	T	A	B	C	Q	W	1000L		1500L		2000L		2500L		3000L	
								P1	P2	P1	P2	P1	P2	P1	P2	P1	P2
150H	1	25	150	110	107.5	75	300	-	575	-	825	710	720	880	885	785×2	790
200H	1 1/4	25	200	150	145	100	400	-	600	-	850	730	735	900	900	800×2	800
250H	1 1/4	30	250	190	190	125	500	-	625	-	875	750	750	910	920	810×2	815
300H	1 1/2	35	300	230	235	150	600	-	650	-	900	760	770	930	935	825×2	825
400H	1 1/2	40	400	310	320	200	800	-	700	-	950	800	800	960	970	850×2	850
500H	1 3/4	50	500	380	410	250	1000	-	750	-	1000	830	835	1000	1000	875×2	875
600H	2	55	600	460	495	300	1200	-	800	-	1050	860	870	1030	1035	900×2	900
800H	2 1/2	60	800	620	670	400	1600	-	900	-	1150	930	935	1100	1100	950×2	950
1000H	2 1/2	65	1000	780	850	500	2000	-	1000	-	1250	1000	1000	1160	1170	1000×2	1000
1300H	3	70	1300	1020	1125	650	2600	-	1150	-	1400	1100	1100	1260	1270	1075×2	1075

• BP Fender Performance Table

(1m Length)

Size	Performance	150H	200H	250H	300H	400H	500H	600H	800H	1000H	1200H
		Def.45%	R · F(ton)	126	191	255	306	420	534	588	672
	E · A(tan-m)	1.7	3.7	5.0	7.0	11.5	16.8	23.8	36.1	56.8	87.4



(Unit : mm)

Size		250H	300H	400H	500H	600H	800H	1000H
RS	R · F(ton)	16.5	16.5	16.5	16.5	16.5	16.5	16.5
	E · A(tan-m)	0.9	0.9	0.9	0.9	0.9	0.9	0.9
RH	R · F(ton)	12.0	12.0	12.0	12.0	12.0	12.0	12.0
	E · A(tan-m)	0.7	0.7	0.7	0.7	0.7	0.7	0.7
RM	R · F(ton)	11.0	11.0	11.0	11.0	11.0	11.0	11.0
	E · A(tan-m)	0.6	0.6	0.6	0.6	0.6	0.6	0.6
RL	R · F(ton)	9.0	9.0	9.0	9.0	9.0	9.0	9.0
	E · A(tan-m)	0.5	0.5	0.5	0.5	0.5	0.5	0.5

- Deflection :55% - Tolerance : ±10% - R · F : Reaction Force - E · A : Energy Absorption - Length : 1000mm